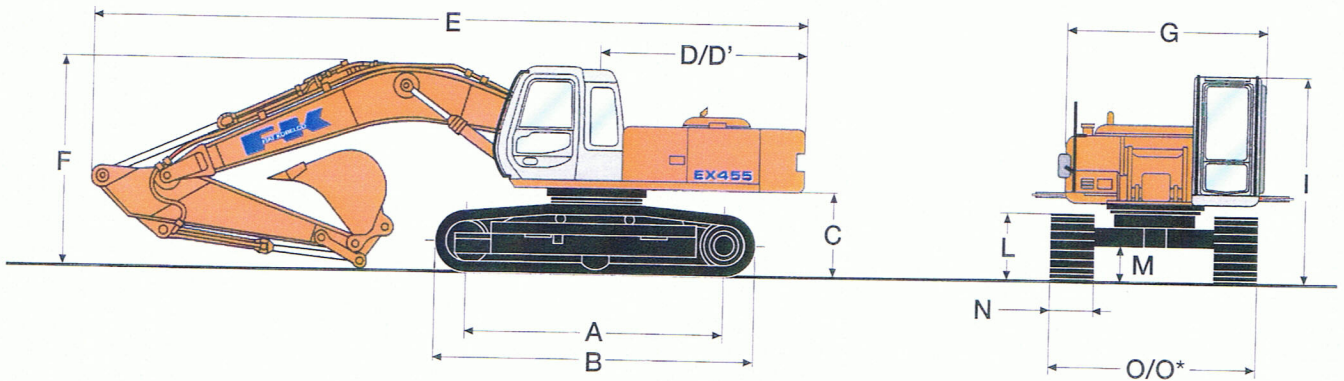


EX455LCH - EX455BEH

Dimensions - Operating weight

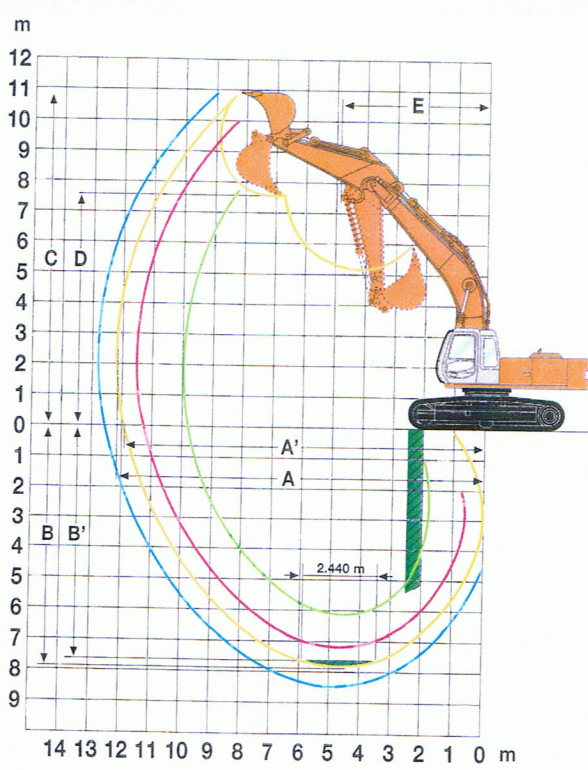


Version	A	B	C	D	D'(*)	E	F	G	H	I	L	M
EX455LCH mm	4470	5470	1380	3580	3600	1) 11980 2) 11870 3) 11880 4) 11470	1) 3560 2) 3430 3) 3440 4) 4300	3330	3000	3285	1190	770
EX455BEH mm	4470	5470	1380	3580	3600	4) 11470	4) 4300	3330	3000	3285	1190	770

	EX455LCH				EX455BEH				
N - Shoes width	mm	600	700	800	900	600	700	800	900
O - Overall width (transportation)	mm	2990	3090	3190	3360	2990	3090	3190	3360
O* - Overall width (working position)	mm	3390	3490	3590	3690	3390	3490	3590	3690
Operating weight	kg	46000	46500	47000	47500	46500	47000	47500	48000
Ground pressure	bar	0.83	0.72	0.64	0.57	0.84	0.73	0.64	0.58

(1) Rear swing radius 1) Dipperstick 2900 mm. 2) Dipperstick 3400 mm. 3) Dipperstick 3900 mm. 4) Dipperstick 2500 mm (BEH).

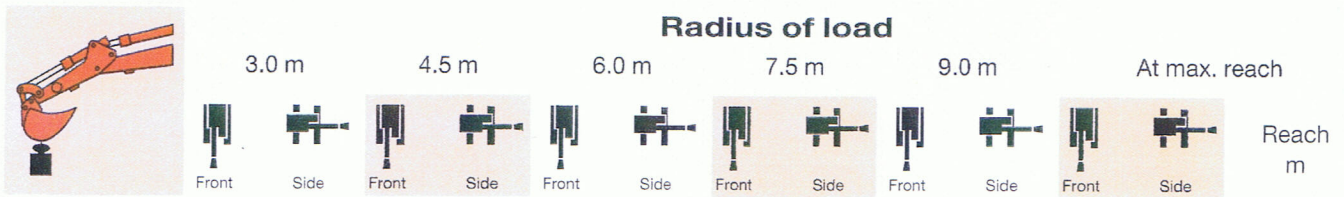
Digging data



Dipperstick	mm	LCH 2900	LCH 3400	LCH 3900	BEH 2500
A		11390	12050	12430	10700
A'		11140	11820	12200	10360
B		7270	7730	8190	6300
B'		7060	7580	8050	6150
C		10040	10990	11060	9800
D		6890	7630	7760	6900
E		5060	4980	4920	4950
Breakout force:					
bucket	daN	22600	22600	22600	22600
dipperstick	daN	21600	19800	16800	24200
With Power Boost:					
bucket	daN	24100	24100	24100	24100
dipperstick	daN	23000	19800	17900	25800

Lift capacity

LCH - One piece boom 7000 mm **BEH - One piece boom 6300 mm**



EX455LCH - Dipper stick 2900 mm

Height	3.0 m		4.5 m		6.0 m		7.5 m		9.0 m		At max. reach		Reach m
	Front	Side	Front	Side	Front	Side	Front	Side	Front	Side	Front	Side	
+ 6.0 m							8.1*	8.1*			7.7*	6.7	8.8
+ 4.5 m			14.3*	14.3*	10.8*	10.8*	9.0*	8.6	8.1*	6.3	8.0*	5.8	9.3
+ 3.0 m			18.4*	17.5	12.8*	11.4	10.2*	8.2	8.7*	6.0	8.4*	5.4	9.5
+ 1.5 m			20.8*	16.2	14.4*	10.8	11.2*	7.8	9.3*	5.8	8.8*	5.2	9.5
0			21.5*	16.0	15.4*	10.4	11.9*	7.5	9.7*	5.6	9.4*	5.3	9.2
- 1.5 m	18.9*	18.9*	21.1*	16.1	15.6*	10.3	12.1*	7.4			10.1*	5.8	8.7
- 3.0 m	26.3*	26.3*	19.9*	16.6	14.9*	10.4	11.5*	7.4			10.9*	6.8	7.8
- 4.5 m	23.6*	23.6*	17.3*	17.3*	13.1*	10.6					11.9*	9.2	6.5

EX455LCH - Dipper stick 3400 mm

Height	3.0 m		4.5 m		6.0 m		7.5 m		9.0 m		At max. reach		Reach m
	Front	Side	Front	Side	Front	Side	Front	Side	Front	Side	Front	Side	
+ 6.0 m							7.5*	7.5*	7.1*	6.5	5.2*	5.2*	9.6
+ 4.5 m	20.3*		12.8*	12.8*	10.0*	10.0*	8.5*	8.5*	7.7*	6.3	5.5*	5.0	10.1
+ 3.0 m			17.0*	17.0*	12.1*	11.7	9.7*	8.3	8.3*	6.1	5.9*	4.7	10.3
+ 1.5 m			20.0*	16.7	14.0*	11.0	10.8*	7.8	9.0*	5.8	6.5*	4.6	10.3
0	10.0*		21.4*	16.3	15.2*	10.5	11.7*	7.5	9.5*	5.6	7.5*	4.6	10.0
- 1.5 m	15.3*		21.5*	16.3	15.6*	10.4	12.1*	7.4	9.7*	5.5	9.0*	5.0	9.5
- 3.0 m	21.2*		20.7*	16.5	15.3*	10.4	11.8*	7.4			9.6*	5.7	8.8
- 4.5 m	26.2*		18.6*	17.1	14.0*	10.7	10.5*	7.5			10.3*	7.2	7.6

EX455LCH - Dipper stick 3900 mm

Height	3.0 m		4.5 m		6.0 m		7.5 m		9.0 m		At max. reach		Reach m
	Front	Side	Front	Side	Front	Side	Front	Side	Front	Side	Front	Side	
+ 6.0 m									6.6*	6.6*	4.4*	4.4*	10.2
+ 4.5 m							7.8*	7.8*	7.1*	6.4	4.6*	4.6*	10.6
+ 3.0 m	11.1*	11.1*	15.3*	15.3*	11.2*	11.2*	9.1*	8.3	7.8*	6.1	4.9*	4.3	10.8
+ 1.5 m	7.3*	7.3*	18.8*	16.9	13.1*	11.1	10.3*	7.8	8.6*	5.8	5.4*	4.1	10.8
0	10.2*	10.2*	20.8*	16.1	14.6*	10.5	11.3*	7.5	9.2*	5.6	6.2*	4.2	10.5
- 1.5 m	14.3*	14.3*	21.4*	16.0	15.4*	10.3	11.8*	7.3	9.5	5.4	7.4*	4.4	10.1
- 3.0 m	19.1*	19.1*	21.0*	16.2	15.4*	10.2	11.8*	7.2	9.3	5.4	8.8*	5.0	9.3
- 4.5 m	25.2*	25.2*	19.4*	16.7	14.4*	10.4	11.0*	7.4			9.5*	6.2	8.3

EX455BEH - Dipper stick 2500 mm

Height	3.0 m		4.5 m		6.0 m		7.5 m		9.0 m		At max. reach		Reach m
	Front	Side	Front	Side	Front	Side	Front	Side	Front	Side	Front	Side	
+ 6.0 m							8.7*	8.7*			8.0*	7.5	8.1
+ 4.5 m			14.4*	14.4*	11.1*	11.1*	9.5*	8.5			8.3*	6.5	8.6
+ 3.0 m					13.0*	11.7	10.5*	8.1			9.1*	6.0	8.9
+ 1.5 m					14.6*	11.0	11.4*	7.8			9.7*	5.9	8.9
0			21.7*	16.6	15.5*	10.6	11.9*	7.5			10.2*	6.1	8.6
- 1.5 m	27.9*	27.9*	21.1*	16.6	15.5*	10.5	11.8*	7.5			10.8*	6.7	8.0
- 3.0 m	26.8*	26.8*	19.2*	16.9	14.3*	10.7					11.6*	8.2	7.1
- 4.5 m			15.3*	15.3*							12.1*	12.1*	5.6

The table values refer to ISO 10567 for excavator equipped with bucket.
The indicated load is no more than 87% of hydraulic system lift capacity or 75% of static tipping load.
Values marked with an asterisk are limited by the hydraulic system.

Unit: 1000 Kg