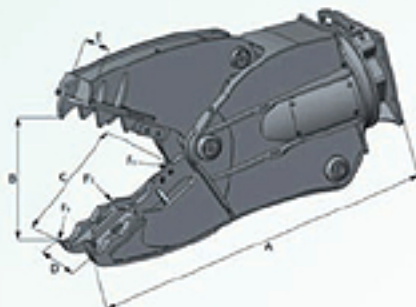


Garriock Bros. Ltd.

RPU Rotating pulverizers for Carriers 12 to 50 tons

Rotating pulverizers are designed to break construction material and to cut rebars in reinforced concrete.

Whether crushing or sorting materials on a structure or on the ground, the Montabert® Rotating Pulverizer's special design provides the strength and durability that make it the right attachment for the job.



MODEL		RPU-12	RPU-15	RPU-18	RPU-22	RPU-30	RPU-40
Excavator Weight	t	12 / 15	15 / 19	18 / 23	22 / 30	29 / 38	38 / 50
Weight	kg	1 250	1 535	1 865	2 435	3 200	4 220
A	mm	1 855	2 015	2 177	2 425	2 734	3 065
B	mm	635	700	805	915	1 010	1 165
C	mm	635	680	812	903	1 005	1 100
D	mm	404	404	454	454	490	490
E	mm	379	379	410	410	446	446
F1	ton	130	170	210	260	340	420
F2	ton	72	92	110	138	275	341
F3	ton	47	59	71	88	118	146
Rotation Flow	l/min	30	30	30	30	50	50
Rotation Pressure	bar	120	120	120	120	120	120
Open/Close Flow	l/min	110 / 160	140 / 200	180 / 230	250 / 300	300 / 350	350 / 400
Open/Close Pressure	bar	350	350	350	350	350	350