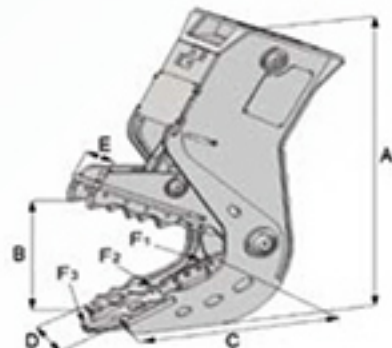


Garriock Bros. Ltd.

FPU Fixed Pulverizers for Carriers 18 to 35 tons

Fixed Pulverizers are specifically adapted for :

- Secondary demolition: separation or reduction of demolished material to facilitate loading and transportation
- Recycling: separating rebars from concrete.



MODEL		FPU-18	FPU-22
Excavator Weight	t	18 / 28	22 / 35
Weight	kg	2 040	2 575
A	mm	2 180	2 313
B	mm	903	1 017
C	mm	900	990
D	mm	480	530
F1	t	290	350
F2	t	235	270
F3	t	120	137
G	mm	72	94
H	mm	180/230	250/300
I	mm	350	350
Open/Close Flow	l/min	180/230	250/300
Open/Close Pressure	bar	350	350

